

## LED12-36V120M

<b>Driver Type:</b>	LED Driver	<b>Description:</b>	12W, 0.33A, 36V DC
<b>Output Mode:</b>	Constant Voltage	<b>Input Voltage:</b>	120-277V AC
<b>Protection:</b>	Short Circuit & Overload	<b>Input Frequency:</b>	50 / 60Hz
<b>Max. Case Temperature:</b>	90°C / 194°F	<b>Warranty:</b>	Five Years

## Electrical Specifications

Max. Output Power (W)	Output Voltage (V)	Output Current (mA)	Input Current (A)		Max. Input Power (W)	THD Max. (%)	Power Factor Min.	Typical Efficiency %	Min. Input Voltage (V)	Min. Start Temperature (°F/°C)
			120V	0.12						
12	36	330	277V	0.06	15.5	25	0.9	78.6	108	-40 / -40

## Regulatory Compliance

Meets FCC Part 15 Class A for EMI

- Complies with ANSI Standards
- RoHS Compliant
- cRUus Listed Class 2



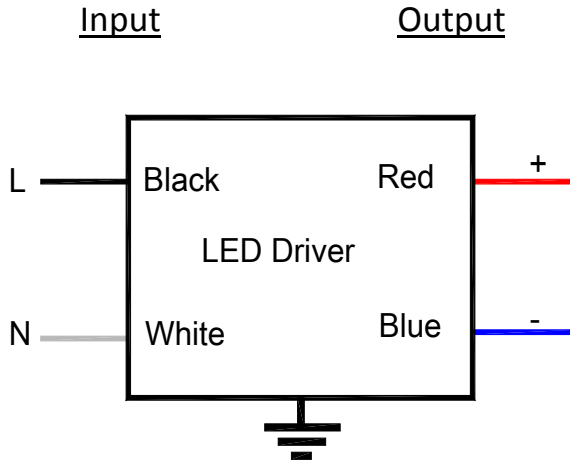
UltraSave Lighting Ltd.  
www.ultrasave.ca

Technical Inquiry, Please Call 905.940.0888 or 1.866.733.9217

Data published here are based on the result of testing under controlled environmental conditions. Actual performance can vary depending on operating conditions. Specifications are subject to change without notice. C1015USL

## Physical Characteristics

### Wiring Diagram



### Case Dimensions

<b>Overall (L)</b>	4.21"	107 mm
<b>Width (W)</b>	1.41"	36 mm
<b>Height (H)</b>	1.14"	29 mm
<b>Mounting (M)</b>	3.9"	99 mm

Color	in	Color	in
Black	5.9	Yellow	
White	5.9	Purple	
Blue	5.9	Gray	
Red	5.9		

UltraSave Lighting Ltd.

[www.ultrasave.ca](http://www.ultrasave.ca)

Technical Inquiry, PLEASE Call 905.940.0888 or 1.866.733.9217

Data published here are based on the result of testing under controlled environmental conditions. Actual performance can vary depending on operating conditions.

Specifications are subject to change without notice. C1015USL