

LED140-1050C120M-S3

| | | | |
|-------------------------------|--------------------------|-------------------------|-------------------------------|
| Driver Type: | LED Driver | Description: | 40W, 1.05/0.7/0.5A, 22-38V DC |
| Output Mode: | Constant Current | Input Voltage: | 120-277V AC |
| Protection: | Short Circuit & Overload | Input Frequency: | 50 / 60Hz |
| Max. Case Temperature: | 90°C / 194°F | Warranty: | Five Years |

Electrical Specifications

| Max. Output Power (W) | Output Voltage (V) | Output Current (mA) | Input Current (A) | | Max. Input Power (W) | THD Max. (%) | Power Factor Min. | Typical Efficiency (%) | Min. Start Temp. (°F/°C) |
|-----------------------|--------------------|---------------------|-------------------|------|----------------------|--------------|-------------------|------------------------|--------------------------|
| | | | 120V | 277V | | | | | |
| 40 | 22-38 | 1050 | 0.4 | 0.17 | 47 | 20 | 0.95 | 83 | -40/-40 |
| | | | 0.17 | | | | | | |
| 26 | 22-38 | 700 | 0.26 | 0.11 | 30 | 20 | 0.95 | 82 | -40/-40 |
| | | | 0.11 | | | | | | |
| 19 | 22-38 | 500 | 0.19 | 0.08 | 22 | 20 | 0.95 | 82 | -40/-40 |
| | | | 0.08 | | | | | | |

Regulatory Compliance

Meets FCC Part 15 Class A for EMI

- Complies with ANSI Standards
- RoHS Compliant
- cRUus Listed Class2



UltraSave Lighting Ltd.

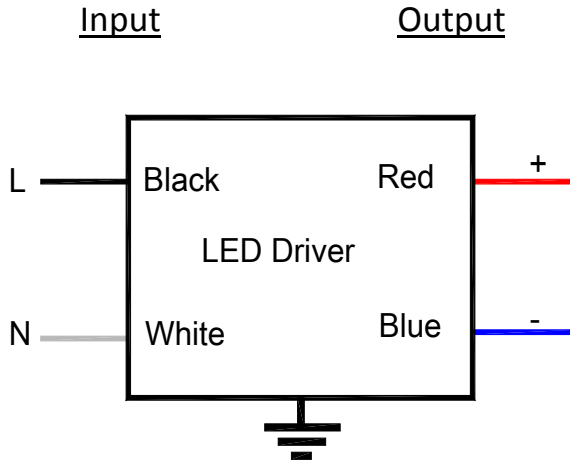
www.ultrasave.ca

Technical Inquiry, please Call 905.940.0888 or 1.866.733.9217

Data published here are based on the result of testing under controlled environmental conditions. Actual performance can vary depending on operating conditions. Specifications are subject to change without notice. C0815USL

Physical Characteristics

Wiring Diagram



Case Dimensions

| | | |
|---------------------|-------|--------|
| Overall (L) | 6.5" | 165 mm |
| Width (W) | 2.9" | 73 mm |
| Height (H) | 1.18" | 30 mm |
| Mounting (M) | 5.9" | 149 mm |

| Color | in | Color | in |
|-------|-----|-------|----|
| Black | 5.9 | | |
| White | 5.9 | | |
| Blue | 5.9 | | |
| Red | 5.9 | | |

UltraSave Lighting Ltd.

www.ultrasave.ca

Technical Inquiry, PLEASE Call 905.940.0888 or 1.866.733.9217

Data published here are based on the result of testing under controlled environmental conditions. Actual performance can vary depending on operating conditions. Specifications are subject to change without notice. C0815USL