

LED150-1400C120M-S3-D

Driver Type:	LED Dimmable Driver	Description:	50W, 1.4/1.05/0.7A, 25-36V DC
Output Mode:	Constant Current	Input Voltage:	120-277V AC
Protection:	Short Circuit & Overload	Input Frequency:	50 / 60Hz
Max. Case Temperature:	90°C / 194°F	Warranty:	Five Years

Electrical Specifications

Max. Output Power (W)	Output Voltage (V)	Output Current (mA)	Input Current (A)		Max. Input Power (W)	THD Max. (%)	Power Factor Min.	Typical Efficiency (%)	Min. Start Temp. (°F/°C)
			120V	277V					
50	25-36	1400	120V	0.5	58	20	0.95	86	-40/-40
			277V	0.23					
38	25-36	1050	120V	0.4	48	20	0.95	85	-40/-40
			277V	0.17					
25	25-36	700	120V	0.25	30	20	0.95	84	-40/-40
			277V	0.11					
Min. Input Voltage (V)		Output Power Range (W)		Dimming Method (V dc)		Dimming Range (%)			
108		5 to 50		0-10		10-100			

Regulatory Compliance

Meets FCC Part 15 Class A for EMI

- Complies with ANSI Standards
- RoHS Compliant
- cRUus Listed Class2



UltraSave Lighting Ltd.

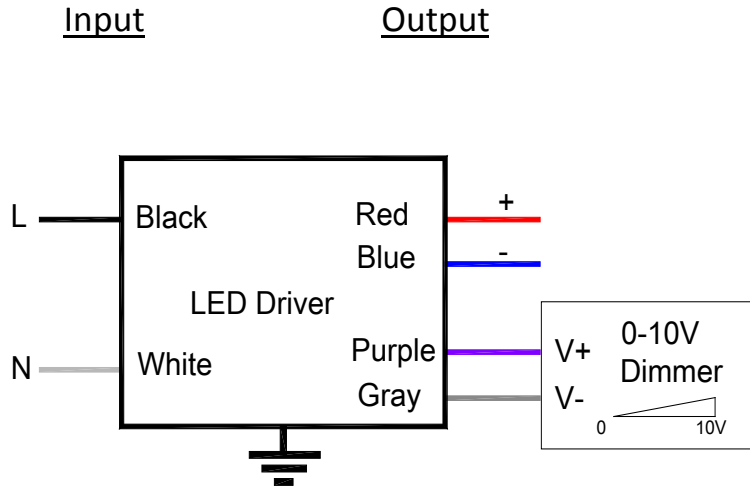
www.ultrasave.ca

Technical Inquiry, please Call 905.940.0888 or 1.866.733.9217

Data published here are based on the result of testing under controlled environmental conditions. Actual performance can vary depending on operating conditions. Specifications are subject to change without notice. C0815USL

Physical Characteristics

Wiring Diagram



Case Dimensions

Overall (L)	6.5"	165 mm
Width (W)	2.9"	73 mm
Height (H)	1.18"	30 mm
Mounting (M)	5.9"	149 mm

Color	in	Color	in
Black	5.9	Yellow	
White	5.9	Purple	5.9
Blue	5.9	Gray	5.9
Red	5.9		

Dimmer List

LUTRON	LEVITON
NFTV NFTV-WH	IP710-DLZ DS710-10Z ADF120-W

UltraSave Lighting Ltd.

www.ultrasave.ca

Technical Inquiry, Please Call 905.940.0888 or 1.866.733.9217

Data published here are based on the result of testing under controlled environmental conditions. Actual performance can vary depending on operating conditions.

Specifications are subject to change without notice. C0815USL