

# ULTRASAVE

## PR332347



<b>Ballast Type:</b>	Electronic	<b>Starting Method:</b>	Rapid Start
<b>Lamp Connection:</b>	Series	<b>Input Voltage:</b>	347
<b>Input Frequency:</b>	50/60 Hz	<b>Sound Rating:</b>	A
<b>Remote Mounting:</b>	18 ft Maximum	<b>Warranty:</b>	Five Years
<b>End-of-Life Protection:</b>	No	<b>Max. Case Temperature:</b>	70°C

## ELECTRICAL SPECIFICATIONS

Lamp Type	# of Lamps	Rated Lamp Watts	Min. Start Temp. (°F/°C)	Input Current (Amps)	Input Power (Watts)	Ballast Factor	Max THD %	Power Factor	Max L.C.C.F.	B.E.F																			
F32T8	3	32	32 / 0	0.26	91	0.88	10	0.99	1.70	0.97																			
	2			0.21	69	1.05				1.52																			
F32T8/ES (30W)	3	30	60 / 16	0.25	85	0.88				10	0.99	1.70	1.04																
	2			0.19	63	1.05							1.67																
F32T8/ES (28W)	3	28		60 / 16	0.23	79							0.88	10	0.99	1.70	1.11												
	2				0.18	60							1.05				1.75												
F32T8/ES (25W)	3	25			60 / 16	0.22							74				0.88	10	0.99	1.70	1.19								
	2					0.17							55				1.05				1.91								
F25T8	3	25				32 / 0							0.22				77				0.92	10	0.99	1.70	1.19				
	2												0.17				56				1.10				1.96				
F17T8	3	17											32 / 0				0.18				61				1.00	10	0.99	1.70	1.64
	2																0.13				42				1.15				2.74

## REGULATORY COMPLIANCE

- Meets ANSI Standard C82.11
- Meets ANSI Standard C62.41
- Meets FCC Part 18 Class A for EMI & RFI (Non-Consumer Limits)
- No PCB's
- cULus Listed (Class P, Type 1 Outdoor, Type HL)
- RoHS Compliant



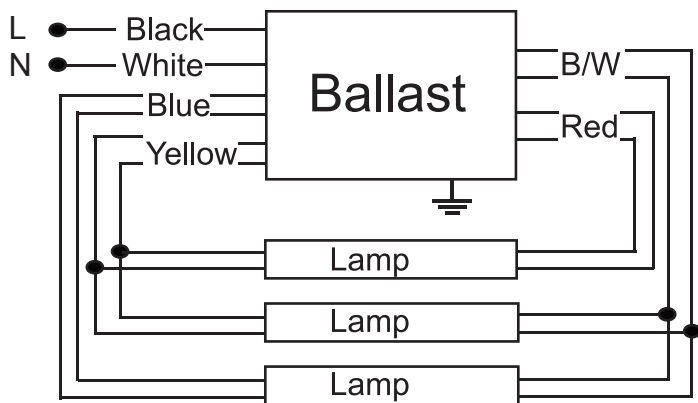
ULTRASAVE LIGHTING LTD.

12-140 AMBER STREET, MARKHAM, ON L3R 3J8 TEL 905.940.0888 FAX 905.940.0338 WWW.ULTRASAVE.CA

Data published here is based on the result of a test under a controlled environment. Actual performance can vary depending on operating conditions. Specifications are subject to change without notice. J3112USL

## PHYSICAL CHARACTERISTICS

### WIRING DIAGRAM

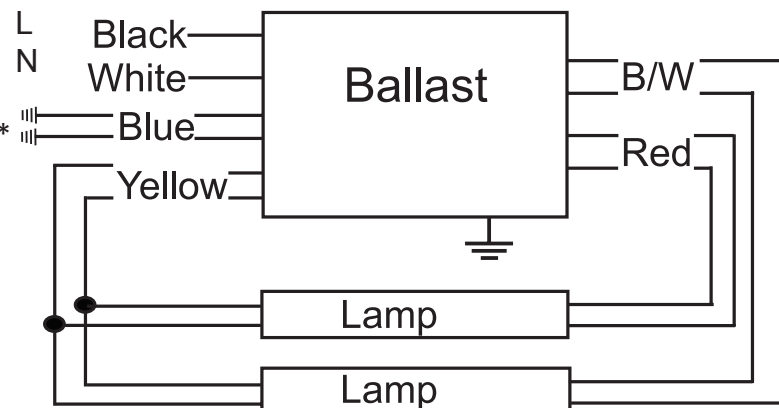


### LEAD LENGTH

Wire	in
Black	18
White	18
Blue	31
Red	31
Yellow	46
Blue/White	31

### CASE DIMENSIONS

Overall (L)	9.50"	241.0 mm
Width (W)	1.72"	43.8 mm
Height (H)	1.18"	30.0 mm
Mounting (M)	8.90"	226.0 mm



\*Cap off each blue wire separately

## ORDERING INFORMATION

Model #	Carton Weight	Carton Dimensions LxWxH	Carton Quantity	Skid Quantity
PR332347	30.8 lbs	11.0" x 10.6" x 9.1"	20	960

### ULTRASAVE LIGHTING LTD.

12-140 AMBER STREET, MARKHAM, ON L3R 3J8

TEL 905.940.0888

FAX 905.940.0338

WWW.ULTRASAVE.CA

Data published here is based on the result of a test under a controlled environment. Actual performance can vary depending on operating conditions. Specifications are subject to change without notice. J3112USL