

# ULTRASAVE

## PR432120



<b>Ballast Type:</b>	Electronic	<b>Starting Method:</b>	Rapid Start
<b>Lamp Connection:</b>	Series	<b>Input Voltage:</b>	120
<b>Input Frequency:</b>	50/60 Hz	<b>Sound Rating:</b>	A
<b>Remote Mounting:</b>	18 ft Maximum	<b>Warranty:</b>	Five Years
<b>End-of-Life Protection:</b>	No	<b>Max. Case Temperature:</b>	70°C

## ELECTRICAL SPECIFICATIONS

Lamp Type	# of Lamps	Rated Lamp Watts	Min. Start Temp. (°F/°C)	Input Current (Amps)	Input Power (Watts)	Ballast Factor	Max THD %	Power Factor	Max L.C.C.F.	B.E.F																			
F32T8	4	32	32 / 0	1.02	121	0.88	10	0.99	1.60	0.73																			
	3			0.78	93	0.90				0.97																			
F32T8/ES (30W)	4	30	60 / 16	0.93	110	0.88				10	0.99	1.60	0.80																
	3			0.72	86	0.90							1.05																
F32T8/ES (28W)	4	28		60 / 16	0.86	102							0.88	10	0.99	1.60	0.86												
	3				0.68	80							0.90				1.13												
F32T8/ES (25W)	4	25			60 / 16	0.77							92				0.88	10	0.99	1.60	0.96								
	3					0.63							74				0.90				1.22								
F25T8	4	25				32 / 0							0.84				100				0.92	10	0.99	1.60	0.92				
	3												0.64				76				0.94				1.24				
F17T8	4	17											32 / 0				0.66				79				1.00	10	0.99	1.60	1.27
	3																0.47				56				1.00				1.79

## REGULATORY COMPLIANCE

- Meets ANSI Standard C82.11
- Meets ANSI Standard C62.41
- Meets FCC Part 18 Class A for EMI & RFI (Non-Consumer Limits)
- No PCB's

- cULus Listed (Class P, Type 1 Outdoor, Type HL)
- RoHS Compliant



ULTRASAVE LIGHTING LTD.

12-140 AMBER STREET, MARKHAM, ON L3R 3J8

TEL 905.940.0888

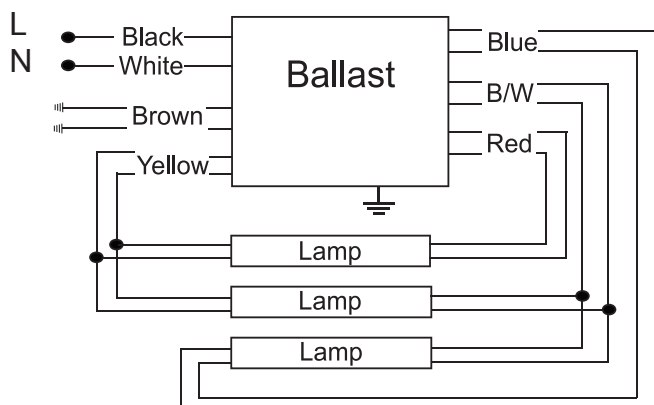
FAX 905.940.0338

WWW.ULTRASAVE.CA

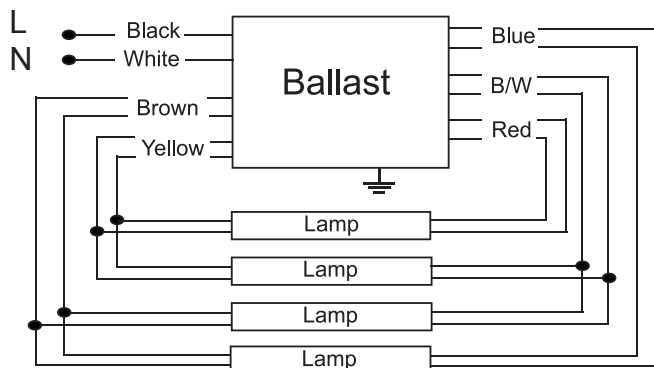
Data published here is based on the result of a test under a controlled environment. Actual performance can vary depending on operating conditions. Specifications are subject to change without notice. J3112USL

## PHYSICAL CHARACTERISTICS

### WIRING DIAGRAM



\* Cap off each Brown wire separately



### LEAD LENGTH

Wire	in
Black	18
White	18
Blue	31
Red	31
Yellow	46
Brown	46
Blue/White	31

### CASE DIMENSIONS

<b>Overall (L)</b>	9.50"	241.0 mm
<b>Width (W)</b>	1.72"	43.8 mm
<b>Height (H)</b>	1.18"	30.0 mm
<b>Mounting (M)</b>	8.90"	226.0 mm

## ORDERING INFORMATION

Model #	Carton Weight	Carton Dimensions LxWxH	Carton Quantity	Skid Quantity
PR432120	28.6 lbs	11.0" x 10.6" x 9.1"	20	960

### ULTRASAVE LIGHTING LTD.

12-140 AMBER STREET, MARKHAM, ON L3R 3J8

TEL 905.940.0888

FAX 905.940.0338

WWW.ULTRASAVE.CA

Data published here is based on the result of a test under a controlled environment. Actual performance can vary depending on operating conditions. Specifications are subject to change without notice. J3112USL