

ULTRASAVE

PR432120M-PP-HE



Ballast Type:	Electronic	Starting Method:	Programmed Start
Lamp Connection:	Parallel	Input Voltage:	120 to 277
Input Frequency:	50/60 Hz	Sound Rating:	A
Remote Mounting:	18 ft Maximum	Warranty:	Five Years
End-of-Life Protection:	No	Max. Case Temperature:	70°C

ELECTRICAL SPECIFICATIONS

Lamp Type	# of Lamps	Rated Lamp Watts	Min. Start Temp. (°F/°C)	Input Current (Amps) @120/277V	Input Power (Watts)	Ballast Factor	Max THD %	Power Factor	Max L.C.C.F.	B.E.F
F40T8	3	40	0 / -18	0.90 / 0.39	107	0.90	10	0.99	1.60	0.84
F32T8 *	4	32		0.91 / 0.40	110	0.88				0.80
	3			0.74 / 0.33	89	0.95				1.07
F32T8/ES (30W)	4	30	60 / 16	0.85 / 0.37	101	0.88				0.87
	3			0.70 / 0.30	83	0.95				1.14
F32T8/ES (28W)	4	28		0.77 / 0.34	93	0.88				0.95
	3			0.65 / 0.28	77	0.95				1.23
F32T8/ES (25W)	4	25		0.74 / 0.33	88	0.88				1.00
	3			0.60 / 0.26	72	0.95				1.32
FB32T8-U	4	32	0 / -18	1.01 / 0.44	118	0.94				0.80
	3		0.84 / 0.36	97	1.05	1.08				
FB32T8-U (25W)	4	25	60 / 16	0.75 / 0.32	88	0.91				1.03
	3		0.62 / 0.27	72	0.98	1.36				
F25T8	4	25	0 / -18	0.71 / 0.31	86	0.89	1.03			
	3			0.58 / 0.26	71	0.96	1.35			
F17T8	4	17		0.51 / 0.23	61	0.89	1.46			
	3			0.42 / 0.19	51	0.97	1.90			

REGULATORY COMPLIANCE

- Meets ANSI Standard C82.11
- Meets ANSI Standard C62.41
- Meets FCC Part 18 Class A for EMI & RFI (Non-Consumer Limits)
- No PCB's

- cULus Listed (Class P, Type 1 Outdoor, Type HL)
- RoHS Compliant

RoHS compliant



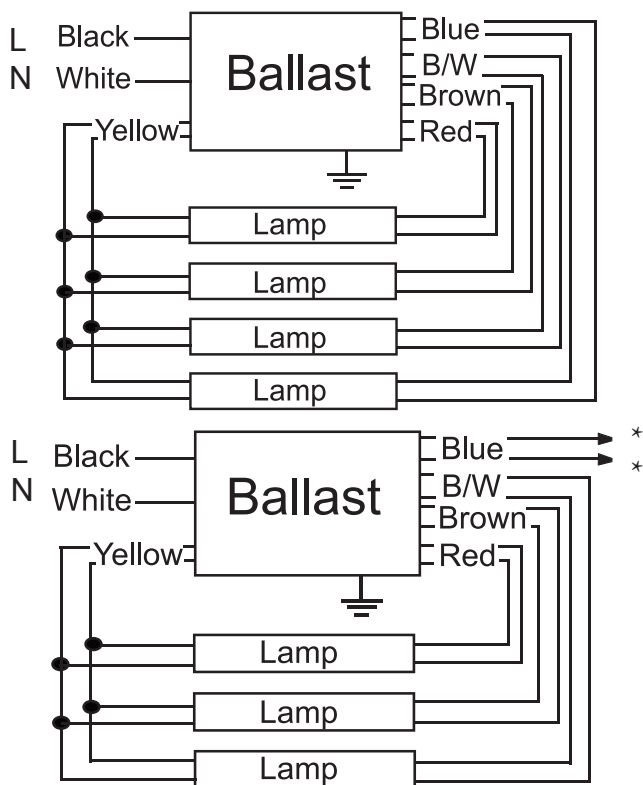
ULTRASAVE LIGHTING LTD.

12-140 AMBER STREET, MARKHAM, ON L3R 3J8 TEL 905.940.0888 FAX 905.940.0338 WWW.ULTRASAVE.CA

Data published here is based on the result of a test under a controlled environment. Actual performance can vary depending on operating conditions. Specifications are subject to change without notice. D2913USL

PHYSICAL CHARACTERISTICS

WIRING DIAGRAM



* Cap off each blue wire separately

LEAD LENGTH

Wire	in
Black	20
White	20
Blue	31
Red	31
Yellow	47
Brown	33
Blue/White	33

CASE DIMENSIONS

Overall (L)	9.50"	241.0 mm
Width (W)	1.72"	43.8 mm
Height (H)	1.18"	30.0 mm
Mounting (M)	8.90"	226.0 mm

ORDERING INFORMATION

Model #	Carton Weight	Carton Dimensions LxWxH	Carton Quantity	Skid Quantity
PR432120M-PP-HE	31.2 lbs	11.0" x 10.6" x 9.1"	20	960

ULTRASAVE LIGHTING LTD.

12-140 AMBER STREET, MARKHAM, ON L3R 3J8

TEL 905.940.0888

FAX 905.940.0338

WWW.ULTRASAVE.CA

Data published here is based on the result of a test under a controlled environment. Actual performance can vary depending on operating conditions. Specifications are subject to change without notice. D2913USL