

PR432120M



Ballast Type:	Electronic	Starting Method:	Rapid Start
Lamp Connection:	Series	Input Voltage:	120 to 277
Input Frequency:	50/60 Hz	Sound Rating:	A
Remote Mounting:	18 ft Maximum	Warranty:	Five Years
End-of-Life Protection:	No	Max. Case Temperature:	70°C

ELECTRICAL SPECIFICATIONS

Lamp Type	# of Lamps	Rated Lamp Watts	Min. Start Temp. (°F/°C)	Input Current (Amps) @120/277V	Input Power (Watts)	Ballast Factor	Max THD %	Power Factor	Max L.C.C.F.	B.E.F																			
F32T8	4	32	32 / 0	0.92 / 0.40	110	0.88	10	0.99	1.70	0.80																			
	3			0.79 / 0.34	94	0.89				0.95																			
F32T8/ES (30W)	4	30	60 / 16	0.86 / 0.38	103	0.88				10	0.99	1.70	0.85																
	3			0.73 / 0.32	87	0.89							1.02																
F32T8/ES (28W)	4	28		60 / 16	0.86 / 0.38	96							0.88	10	0.99	1.70	0.92												
	3				0.69 / 0.30	82							0.89				1.09												
F32T8/ES (25W)	4	25			60 / 16	0.80 / 0.36							92				0.88	10	0.99	1.70	0.96								
	3					0.65 / 0.29							77				0.89				1.16								
F25T8	4	25				32 / 0							0.84 / 0.36				92				0.92	10	0.99	1.70	1.00				
	3												0.66 / 0.29				78				0.93				1.19				
F17T8	4	17											32 / 0				0.67 / 0.29				79				1.00	10	0.99	1.70	1.27
	3																0.50 / 0.22				59				1.01				1.71

REGULATORY COMPLIANCE

- Meets ANSI Standard C82.11
- Meets ANSI Standard C62.41
- Meets FCC Part 18 Class A for EMI & RFI (Non-Consumer Limits)
- No PCB's

- cULus Listed (Class P, Type 1 Outdoor, Type HL)
- RoHS Compliant



ULTRASAVE LIGHTING LTD.

12-140 AMBER STREET, MARKHAM, ON L3R 3J8

TEL 905.940.0888

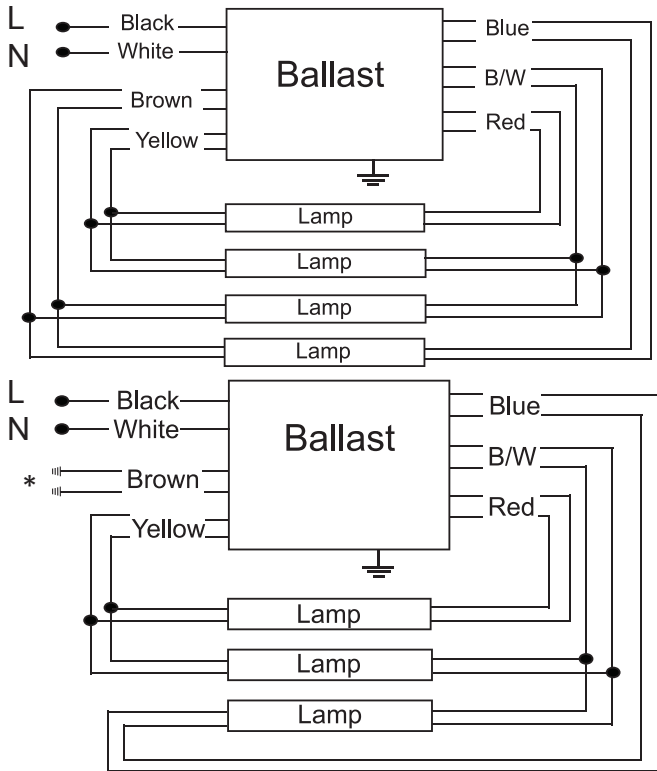
FAX 905.940.0338

WWW.ULTRASAVE.CA

Data published here is based on the result of a test under a controlled environment. Actual performance can vary depending on operating conditions. Specifications are subject to change without notice. J3112USL

PHYSICAL CHARACTERISTICS

WIRING DIAGRAM



LEAD LENGTH

Wire	in
Black	18
White	18
Blue	31
Red	31
Yellow	46
Brown	46
Blue/White	31

CASE DIMENSIONS

Overall (L)	9.50"	241.0 mm
Width (W)	1.72"	43.8 mm
Height (H)	1.18"	30.0 mm
Mounting (M)	8.90"	226.0 mm

ORDERING INFORMATION

Model #	Carton Weight	Carton Dimensions LxWxH	Carton Quantity	Skid Quantity
PR432120M	32.8 lbs	11.0" x 10.6" x 9.1"	20	960

ULTRASAVE LIGHTING LTD.

12-140 AMBER STREET, MARKHAM, ON L3R 3J8

TEL 905.940.0888

FAX 905.940.0338

WWW.ULTRASAVE.CA

Data published here is based on the result of a test under a controlled environment. Actual performance can vary depending on operating conditions. Specifications are subject to change without notice. J3112USL