

## SR132120



<b>Ballast Type:</b>	Electronic	<b>Starting Method:</b>	Programmed Start
<b>Lamp Connection:</b>	Series	<b>Input Voltage:</b>	120 +/- 10%
<b>Input Frequency:</b>	50/60 Hz	<b>Sound Rating:</b>	A
<b>Remote Mounting:</b>	10 ft Maximum	<b>Warranty:</b>	Five Years
<b>End-of-Life Protection:</b>	Yes	<b>Max. Case Temperature:</b>	70°C

## ELECTRICAL SPECIFICATIONS

Lamp Type	# of Lamps	Rated Lamp Watts	Min. Start Temp. (°F/°C)	Input Current (Amps)	Input Power (Watts)	Ballast Factor	Max THD %	Power Factor	Max. L.C.C.F.	B.E.F
F28T5	1	28	32 / 0	0.28	32	1.00	12	0.99	1.70	3.13
F32T8		32	0 / -18	0.24	30	0.86	10			2.87
F32T8/ES (30W)		30	60 / 16	0.23	27	0.87				3.22
F32T8/ES (28W)		28		0.21	25	0.87				3.48
F32T8/ES (25W)		25		0.20	24	0.87				3.63
F25T8		25		0 / -18	0.20	24				0.90

## REGULATORY COMPLIANCE

- Meets ANSI Standard C82.11
- Meets FCC Part 18 Class A for EMI & RFI (Non-Consumer Limits)
- No PCB's
- cULus Listed (Class P, Type 1 Outdoor)
- RoHS Compliant

RoHS compliant 

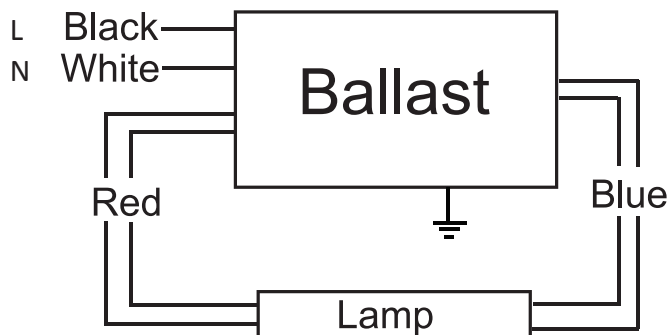


ULTRASAVE LIGHTING LTD.

12-140 AMBER STREET, MARKHAM, ON L3R 3J8 TEL 905.940.0888 FAX 905.940.0338 WWW.ULTRASAVE.CA

## PHYSICAL CHARACTERISTICS

### WIRING DIAGRAM T5HO



### LEAD LENGTH

Wire	in
Black	17
White	17
Blue	27
Red	51

### CASE DIMENSIONS

Overall (L)	9.50"
Width (W)	1.30"
Height (H)	1.10"
Mounting (M)	8.90"

## ORDERING INFORMATION

Model #	Carton Weight	Carton Dimensions LxWxH	Carton Quantity	Skid Quantity
SR132120	12.90 lbs	9.84" x 10.24" x 5.91"	20	1000

### ULTRASAVE LIGHTING LTD.

12-140 AMBER STREET, MARKHAM, ON L3R 3J8

TEL 905.940.0888

FAX 905.940.0338

WWW.ULTRASAVE.CA