

ST232120



Ballast Type:	Electronic	Starting Method:	Instant Start
Lamp Connection:	Series	Input Voltage:	120 +/- 10%
Input Frequency:	50/60 Hz	Sound Rating:	A
Remote Mounting:	10 ft Maximum	Warranty:	Five Years
End-of-Life Protection:	Yes	Max. Case Temperature:	70°C

ELECTRICAL SPECIFICATIONS

Lamp Type	# of Lamps	Rated Lamp Watts	Min. Start Temp. (°F/°C)	Input Current (Amps)	Input Power (Watts)	Ballast Factor	Max THD %	Power Factor	Max. L.C.C.F.	B.E.F
F32T8	2	32	0 / -18	0.49	57	0.90	10	0.99	1.70	1.58
F32T8/ES (30W)		30		0.46	55	0.90				1.64
F32T8/ES (28W)		28		0.44	52	0.95				1.83
F32T8/ES (25W)		25								0.43
F28T5		28	32 / 0	0.50	60	1.00				1.67
F21T5		21		0.40	48	1.02				2.13

REGULATORY COMPLIANCE

- Meets ANSI Standard C82.11
- Meets FCC Part 18 Class A for EMI & RFI (Non-Consumer Limits)
- No PCB's
- cULus Listed (Class P, Type 1 Outdoor)
- RoHS Compliant

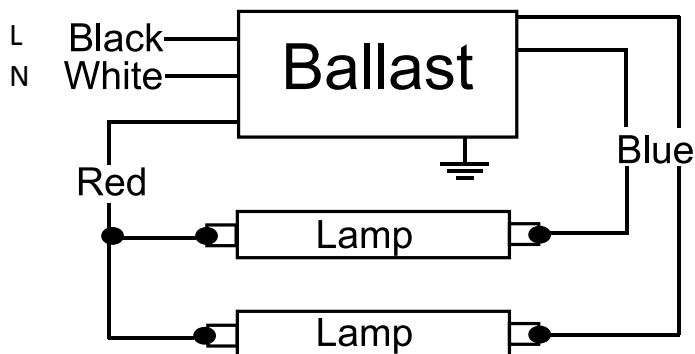


ULTRASAVE LIGHTING LTD.

12-140 AMBER STREET, MARKHAM, ON L3R 3J8 TEL 905.940.0888 FAX 905.940.0338 WWW.ULTRASAVE.CA

PHYSICAL CHARACTERISTICS

WIRING DIAGRAM



LEAD LENGTH

Wire	in
Black	17
White	17
Blue	27 / 50
Red	50

CASE DIMENSIONS

Overall (L)	9.50"
Width (W)	1.30"
Height (H)	1.10"
Mounting (M)	8.90"

ORDERING INFORMATION

Model #	Carton Weight	Carton Dimensions LxWxH	Carton Quantity	Skid Quantity
ST232120	12.90 lbs	9.84" x 10.24" x 5.91"	20	1000

ULTRASAVE LIGHTING LTD.

12-140 AMBER STREET, MARKHAM, ON L3R 3J8

TEL 905.940.0888

FAX 905.940.0338

WWW.ULTRASAVE.CA