

ULTRASAVE

UT232120M



Ballast Type:	Electronic	Starting Method:	Instant Start
Lamp Connection:	Parallel	Input Voltage:	120 to 277
Input Frequency:	50/60 Hz	Sound Rating:	A
Remote Mounting:	18 ft Maximum	Warranty:	Five Years
EOL Protection:	No	Max Case Temperature:	70°C

ELECTRICAL SPECIFICATIONS

Lamp Type	# of Lamps	Rated Lamp Watts	Min. Start Temp. (°F/°C)	Input Current (A) @120/277V	Input Power (Watts)	Ballast Factor	Max THD %	Power Factor	Max L.C.C.F.	B.E.F
F32T8	2	32	0/-18	0.48 / 0.21	58	0.88	10	0.99	1.70	1.52
	1			0.31 / 0.14	37	1.03	15	0.98		2.78
F32T8/ES (30W)	2	30	60/16	0.46 / 0.22	57	0.91	10	0.99		1.60
	1			0.29 / 0.13	36	0.95	15	0.98		2.64
F32T8/ES (28W)	2	28		0.42 / 0.19	52	0.91	10	0.99		1.75
	1			0.27 / 0.13	33	0.95	15	0.98		2.88
F32T8/ES (25W)	2	25		0.40 / 0.18	49	0.91	10	0.99		1.86
	1			0.25 / 0.12	31	0.95	15	0.98		3.06
F25T8	2	25	0/-18	0.40 / 0.17	48	0.91	10	0.99		1.90
	1			0.25 / 0.11	30	1.06	15	0.98		3.53
F17T8	2	17		0.28 / 0.12	33	0.93	15	0.97		2.82
	1			0.18 / 0.08	22	1.07	15	0.95		4.86

REGULATORY COMPLIANCE

- Meets ANSI Standard C82.11
- Meets ANSI Standard C62.41
- Meets FCC Part 18 Class A for EMI & RFI (Non-Consumer Limits)
- No PCB's
- cULus Listed (Class P, Type 1 Outdoor, Type HL)
- RoHS Compliant



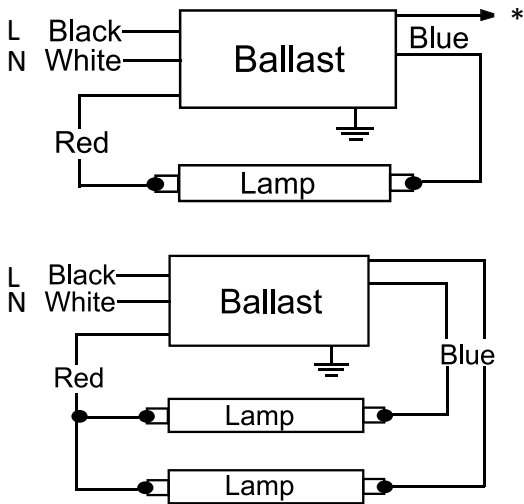
ULTRASAVE LIGHTING LTD.

12-140 AMBER STREET, MARKHAM, ON L3R 3J8 TEL 905.940.0888 FAX 905.940.0338 WWW.ULTRASAVE.CA

Data published here is based on the result of a test under a controlled environment. Actual performance can vary depending on operating conditions. Specifications are subject to change without notice. H0211USL

PHYSICAL CHARACTERISTICS

WIRING DIAGRAM



*Cap off one blue wire separately

LEAD LENGTH

Wire	in
Black	19
White	19
Blue	31
Red	47

CASE DIMENSIONS

Overall (L)	9.50"
Width (W)	1.72"
Height (H)	1.18"
Mounting (M)	8.90"

ORDERING INFORMATION

Model #	Carton Quantity	Carton Weight	Carton Dimensions LxWxH	Skid Quantity
UT232120M	20	28.70 lbs	11.02" x 10.63" x 9.06"	1000

ULTRASAVE LIGHTING LTD.

12-140 AMBER STREET, MARKHAM, ON L3R 3J8

TEL 905.940.0888

FAX 905.940.0338

WWW.ULTRASAVE.CA

Data published here is based on the result of a test under a controlled environment. Actual performance can vary depending on operating conditions. Specifications are subject to change without notice. H0211USL