

# ULTRASAVE

## UT232120ML-HE



<b>Ballast Type:</b>	Electronic	<b>Starting Method:</b>	Instant Start
<b>Lamp Connection:</b>	Parallel	<b>Input Voltage:</b>	120 to 277
<b>Input Frequency:</b>	50/60 Hz	<b>Sound Rating:</b>	A
<b>Remote Mounting:</b>	18 ft Maximum	<b>Warranty:</b>	Five Years
<b>EOL Protection:</b>	No	<b>Max Case Temperature:</b>	70°C

## ELECTRICAL SPECIFICATIONS

Lamp Type	# of Lamps	Rated Lamp Watts	Min. Start Temp. (°F/°C)	Input Current (Amps) @120/277V	Input Power (Watts)	Ballast Factor	Max THD %	Power Factor	Max L.C.C.F.	B.E.F																	
*F32T8	2	32	0/-18	0.40 / 0.18	48	0.77	10	0.99	1.60	1.60																	
	1			0.26 / 0.11	31	0.90				2.90																	
F32T8/ES (30W)	2	30	60/16	0.38 / 0.16	45	0.77				1.60	0.99	1.60	1.71														
	1			0.23 / 0.10	28	0.90							3.21														
F32T8/ES (28W)	2	28		60/16	0.35 / 0.15	42							0.77	1.60	0.99	1.60	1.83										
	1				0.22 / 0.09	26							0.90				3.46										
F32T8/ES (25W)	2	25			60/16	0.33 / 0.14							39				0.77	1.60	0.99	1.60	1.97						
	1					0.21 / 0.09							25				0.90				3.60						
F25T8	2	25	0/-18			0.33 / 0.14							39				0.77				1.60	0.99	1.60	1.97			
	1					0.21 / 0.09							25				0.89							3.56			
F17T8	2	17		0/-18		0.23 / 0.10							28				0.79							1.60	0.99	1.60	2.82
	1					0.16 / 0.07							19				0.89										4.68

## REGULATORY COMPLIANCE

- Meets ANSI Standard C82.11
- Meets ANSI Standard C62.41
- Meets FCC Part 18 Class A for EMI & RFI (Non-Consumer Limits)
- No PCB's
- cULus Listed (Class P, Type 1 Outdoor, Type HL)
- RoHS Compliant

RoHS compliant



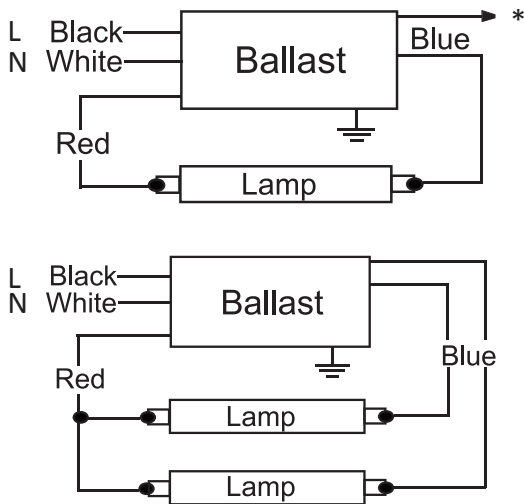
ULTRASAVE LIGHTING LTD.

12-140 AMBER STREET, MARKHAM, ON L3R 3J8 TEL 905.940.0888 FAX 905.940.0338 WWW.ULTRASAVE.CA

Data published here is based on the result of a test under a controlled environment. Actual performance can vary depending on operating conditions. Specifications are subject to change without notice. D2913USL

## PHYSICAL CHARACTERISTICS

### WIRING DIAGRAM



\*Cap off one blue wire separately

### LEAD LENGTH

Wire	in
Black	19
White	19
Blue	31
Red	47

### CASE DIMENSIONS

Overall (L)	9.50"	241.0 mm
Width (W)	1.72"	43.8 mm
Height (H)	1.18"	30.0 mm
Mounting (M)	8.90"	226.0 mm

## ORDERING INFORMATION

Model #	Carton Quantity	Carton Weight	Carton Dimensions LxWxH	Skid Quantity
UT232120ML-HE	20	28.6 lbs	11.0" x 10.6" x 9.1"	960

### ULTRASAVE LIGHTING LTD.

12-140 AMBER STREET, MARKHAM, ON L3R 3J8

TEL 905.940.0888

FAX 905.940.0338

WWW.ULTRASAVE.CA

Data published here is based on the result of a test under a controlled environment. Actual performance can vary depending on operating conditions. Specifications are subject to change without notice. D2913USL