

ULTRASAVE

UT332347L



| | | | |
|-------------------------|---------------|------------------------------|---------------|
| Ballast Type: | Electronic | Starting Method: | Instant Start |
| Lamp Connection: | Parallel | Input Voltage: | 347 |
| Input Frequency: | 50/60 Hz | Sound Rating: | A |
| Remote Mounting: | 18 ft Maximum | Warranty: | Five Years |
| EOL Protection: | No | Max Case Temperature: | 70°C |

ELECTRICAL SPECIFICATIONS

| Lamp Type | # of Lamps | Rated Lamp Watts | Min. Start Temp. (°F/°C) | Input Current (Amps) | Input Power (Watts) | Ballast Factor | Max THD % | Power Factor | Max L.C.C.F. | B.E.F | | |
|----------------|------------|------------------|--------------------------|----------------------|---------------------|----------------|-----------|--------------|--------------|-------|------|------|
| F32T8 | 3 | 32 | 0 / -18 | 0.22 | 77 | 0.80 | 10 | 0.99 | 1.70 | 1.04 | | |
| | 2 | | | 0.17 | 58 | 0.87 | | | | 1.50 | | |
| F32T8/ES (30W) | 3 | 30 | 60 / 16 | 0.20 | 69 | 0.80 | | | | 1.16 | | |
| | 2 | | | 0.15 | 52 | 0.88 | | | | | 1.69 | |
| F32T8/ES (28W) | 3 | 28 | | 0.19 | 64 | 0.80 | | | | | 1.25 | |
| | 2 | | | 0.14 | 49 | 0.87 | | | | | 1.78 | |
| F32T8/ES (25W) | 3 | 25 | | 0.17 | 60 | 0.80 | | | | | 1.33 | |
| | 2 | | | 0.14 | 47 | 0.87 | | | | | 1.85 | |
| F25T8 | 3 | 25 | | 0 / -18 | 0.17 | 60 | | | | | 0.82 | 1.37 |
| | 2 | | | | 0.13 | 45 | | | | | 0.89 | 1.98 |
| F17T8 | 3 | 17 | | | 0.13 | 44 | 0.83 | 1.89 | | | | |
| | 2 | | | | 0.10 | 34 | 0.91 | 2.68 | | | | |

REGULATORY COMPLIANCE

- Meets ANSI Standard C82.11
- Meets ANSI Standard C62.41
- Meets FCC Part 18 Class A for EMI & RFI (Non-Consumer Limits)

- No PCB's
- RoHS Compliant
- cULus Listed (Class P, Type 1 Outdoor, Type HL)

RoHS compliant



NEMA Premium

ULTRASAVE LIGHTING LTD.

12-140 AMBER STREET, MARKHAM, ON L3R 3J8

TEL 905.940.0888

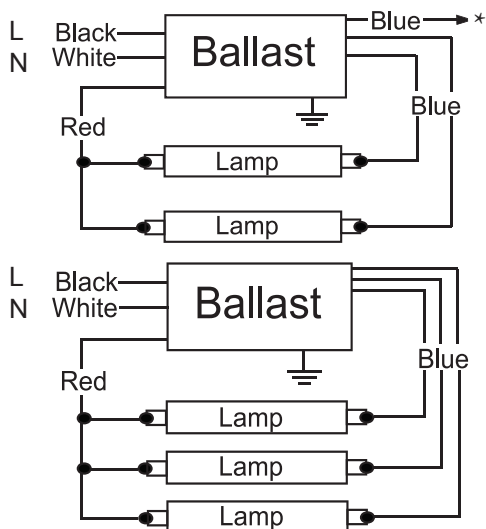
FAX 905.940.0338

WWW.ULTRASAVE.CA

Data published here is based on the result of a test under a controlled environment. Actual performance can vary depending on operating conditions. Specifications are subject to change without notice. D2913USL

PHYSICAL CHARACTERISTICS

WIRING DIAGRAM



* Cap off blue wire seperately

LEAD LENGTH

| Wire | in |
|-------|----|
| Black | 19 |
| White | 19 |
| Blue | 31 |
| Red | 47 |

CASE DIMENSIONS

| | |
|--------------|-------|
| Overall (L) | 9.50" |
| Width (W) | 1.72" |
| Height (H) | 1.18" |
| Mounting (M) | 8.90" |

ORDERING INFORMATION

| Model # | Carton Quantity | Carton Weight | Carton Dimensions LxWxH | Skid Quantity |
|-----------|-----------------|---------------|-------------------------|---------------|
| UT332347L | 20 | 29.80 lbs | 11.02" x 10.63" x 9.06" | 1000 |

ULTRASAVE LIGHTING LTD.

12-140 AMBER STREET, MARKHAM, ON L3R 3J8

TEL 905.940.0888

FAX 905.940.0338

WWW.ULTRASAVE.CA

Data published here is based on the result of a test under a controlled environment. Actual performance can vary depending on operating conditions. Specifications are subject to change without notice. D2913USL