

ULTRASAVE

UT432120L



| | | | |
|-------------------------|---------------|------------------------------|---------------|
| Ballast Type: | Electronic | Starting Method: | Instant Start |
| Lamp Connection: | Parallel | Input Voltage: | 120 |
| Input Frequency: | 50/60 Hz | Sound Rating: | A |
| Remote Mounting: | 18 ft Maximum | Warranty: | Five Years |
| EOL Protection: | No | Max Case Temperature: | 70°C |

ELECTRICAL SPECIFICATIONS

| Lamp Type | # of Lamps | Rated Lamp Watts | Min. Start Temp. (°F/°C) | Input Current (Amps) | Input Power (Watts) | Ballast Factor | Max THD % | Power Factor | Max L.C.C.F. | B.E.F | |
|----------------|------------|------------------|--------------------------|----------------------|---------------------|----------------|-----------|--------------|--------------|-------|------|
| F32T8 | 4 | 32 | 0 / -18 | 0.79 | 93 | 0.75 | 10 | 0.99 | 1.70 | 0.81 | |
| | 3 | | | 0.65 | 78 | 0.77 | | | | 0.99 | |
| F32T8/ES (30W) | 4 | 30 | 60 / 16 | 0.70 | 84 | 0.72 | | | | 0.86 | |
| | 3 | | | 0.59 | 71 | 0.80 | | | | 1.13 | |
| F32T8/ES (28W) | 4 | 28 | | 0.64 | 77 | 0.71 | | | | 0.92 | |
| | 3 | | | 0.54 | 64 | 0.81 | | | | 1.27 | |
| F32T8/ES (25W) | 4 | 25 | | 0.61 | 73 | 0.72 | | | | 0.99 | |
| | 3 | | | 0.51 | 61 | 0.80 | | | | 1.31 | |
| F25T8 | 4 | 25 | | 0 / -18 | 0.61 | 73 | | | | 0.73 | 1.00 |
| | 3 | | | | 0.51 | 61 | | | | 0.81 | 1.33 |
| F17T8 | 4 | 17 | | | 0.43 | 52 | | | | 0.74 | 1.42 |
| | 3 | | | | 0.36 | 43 | | | | 0.83 | 1.93 |

REGULATORY COMPLIANCE

- Meets ANSI Standard C82.11-1993
- Meets ANSI Standard C62.41-1991
- Meets FCC Part 18 Class A for EMI & RFI (Non-Consumer Limits)

- No PCB's
- cULus Listed (Class P, Type 1 Outdoor, Type HL)

RoHS compliant 



ULTRASAVE LIGHTING LTD.

12-140 AMBER STREET, MARKHAM, ON L3R 3J8

TEL 905.940.0888

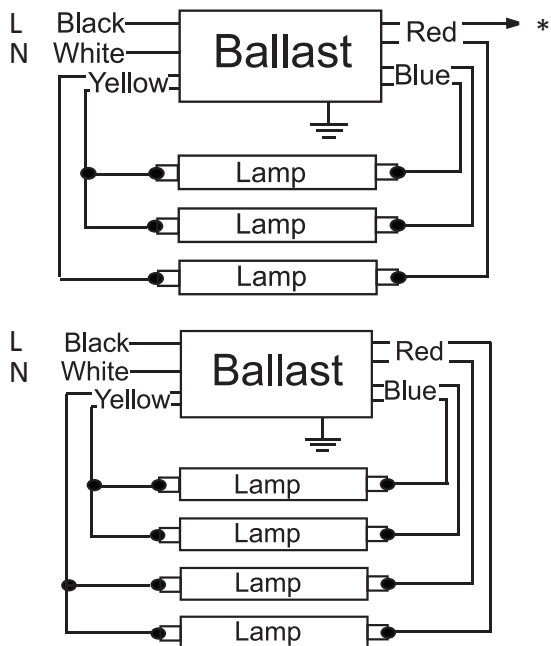
FAX 905.940.0338

WWW.ULTRASAVE.CA

Data published here is based on the result of a test under a controlled environment. Actual performance can vary depending on operating conditions. Specifications are subject to change without notice. D2913USL

PHYSICAL CHARACTERISTICS

WIRING DIAGRAM



*Cap off one red wire separately

LEAD LENGTH

| Wire | in |
|--------|----|
| Black | 19 |
| White | 19 |
| Blue | 31 |
| Red | 31 |
| Yellow | 47 |

CASE DIMENSIONS

| | |
|--------------|-------|
| Overall (L) | 9.50" |
| Width (W) | 1.72" |
| Height (H) | 1.18" |
| Mounting (M) | 8.90" |

ORDERING INFORMATION

| Model # | Carton Weight | Carton Dimensions LxWxH | Carton Quantity | Skid Quantity |
|-----------|---------------|-------------------------|-----------------|---------------|
| UT432120L | 29.80 lbs | 11.02" x 10.63" x 9.06" | 20 | 1000 |

ULTRASAVE LIGHTING LTD.

12-140 AMBER STREET, MARKHAM, ON L3R 3J8

TEL 905.940.0888

FAX 905.940.0338

WWW.ULTRASAVE.CA

Data published here is based on the result of a test under a controlled environment. Actual performance can vary depending on operating conditions. Specifications are subject to change without notice. D2913USL